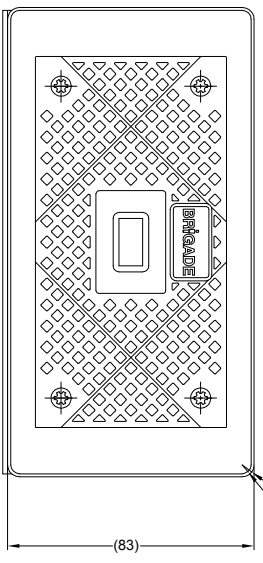
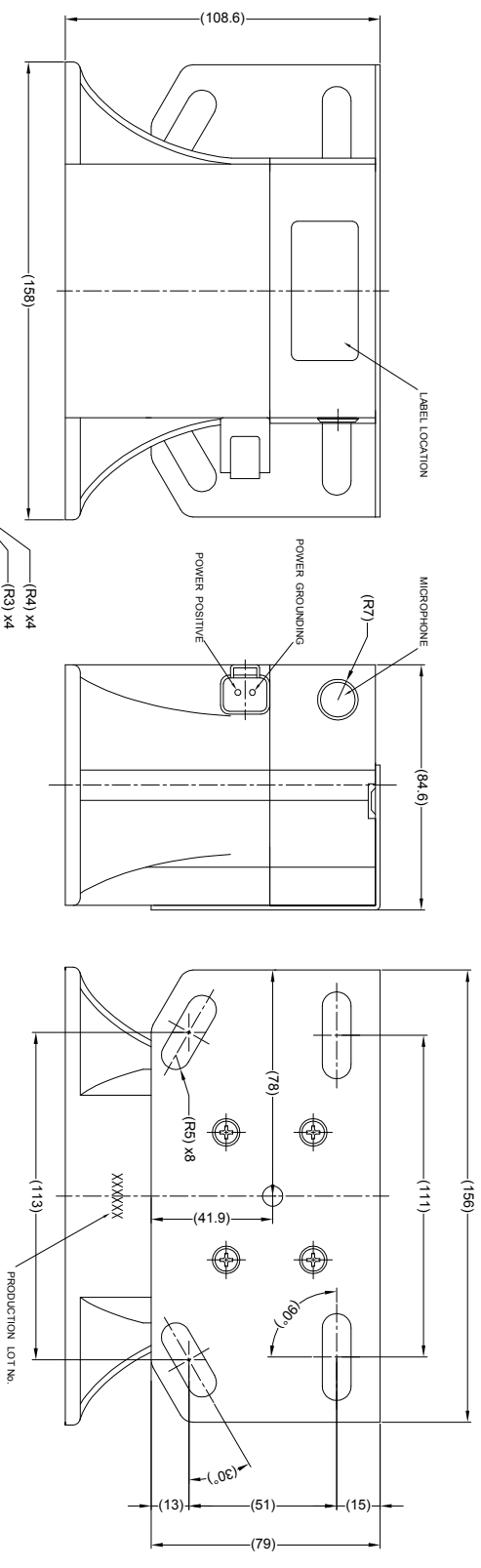


- SPECIFICATIONS**
1. RATED VOLTAGE : 24 VOLTS DIRECT CURRENT (WORKING VOLTAGE RANGE 18 THRU 32 VOLTS).
 2. RATED CURRENT : 0.3 AMPERES OR LESS.
 3. SOUND PRESSURE : SELF-ADJUSTING 87-112.4dB(A) (MINIMUM OF 50dB(A) ABOVE SENSED AMBIENT NOISE). (AS MEASURED AT A DISTANCE OF 1.2 METERS AND AT A HEIGHT OF 1.2 METERS ABOVE THE GROUND).
 4. TONE FREQUENCIES : 1900 ±200Hz AT TEST VOLTAGES OF 28 VOLTS.
 5. PULSATIONS : 70 ±10 CYCLES PER MINUTE AT TEST VOLTAGES OF 28 VOLTS.
 6. DURABILITY : CONSECUTIVE 500 HOURS AT TEST VOLTAGE OF 28 VOLTS.
 7. SURGE VOLTAGE : TO BE FREE FROM ABNORMALITY WHEN APPLYING 100V, 100ms PULSES EVERY 5 SECOND FOR 1 HR AT TEST VOLTAGE OF 28V.
 8. RANGE OF OPERATING TEMP. GUARANTEED : -40°C THRU 85°C.
 9. OTHERS : MEETS REQUIREMENTS OF SAE J994.
 10. INTEGRATED DEUTSCH CONNECTOR.



- NOTES:**
1. FOR PRODUCT LABEL REFER TO LATEST REVISION OF DRAWING: BE-002833-XX-14.
 2. FOR GIFTBOX LABEL REFER TO LATEST REVISION OF DRAWING: BE-002834-XX-14.
 3. "R TRIANGLE" INDICATES CHANGES MADE TO REVISION OF THE DRAWING, AS IDENTIFIED IN REVISION NOTES.



PROPRIETARY NOTICE
 THIS DESIGN AND TECHNICAL INFORMATION APPEARING ON THIS DRAWING IS THE PROPERTY OF BRIGADE ELECTRONICS, AND IS DISCLOSED IN CONFIDENCE. IT IS NOT TO BE COPIED, REPRODUCED, REVEALED TO OR EXPROPRIATED BY OTHERS, EITHER IN WHOLE OR IN PART WITHOUT THE EXPRESS WRITTEN CONSENT OF BRIGADE ELECTRONICS.



Assembly PI Approval 	Approved by	Checked by	Drawn by
	DKERAL	MBUTLER	JNEWMAN
Units	Scale	Released	Assembly Ref
mm	N/A	19/07/11	-
Status	SA-800(1DC)		
RELEASED			
Part No	BE-001380-01-11		
#1416			